

TECHNICAL BULLETIN

Assembly & Installation Reference:

SUBJECT: Hendrickson Lift Axle Dimensions

LIT NO: TB-H825

DATE: February 2021

REVISION: C

TABLE OF CONTENTS

Section 1 Steerable Suspensions

SC: TRUCK, Steerable 8K, 10K, 13K	2
SC: TRUCK, Steerable 20K	2
SC: TRUCK, Steerable Roll-Off 13K.	3
SC: TRUCK, Steerable Roll-Off 20K.	3
SC: TRAILER*, Steerable 10K & 13K	4
SC: TRAILER*, Steerable 20K	4
EXS: TRUCK, Steerable 8K, 10K, 13K	5
EXS TRUCK, Steer. Roll-Off 8K, 10K, 13K	5
EXS: TRAILER* Steerable 8K, 10K, 13K	6
EXS: TRUCK, Steerable 20K	6
EXS TRUCK, Steerable Roll-Off 20K	7
EXS: TRAILER*, Steerable 20K	7

Section 2 Fixed Suspensions

FX: TRUCK, Fixed 13K.	8
FM: TRUCK, Fixed 20K	8
FX: TRUCK, Fixed Roll-Off 13K	9
FM: TRUCK, Fixed Roll-Off 20K.	9
FX: TRAILER*, Fixed 10K & 13K.	10
FM: TRAILER**, Fixed 16K-25K (10" ***)	10
FM: TRAILER**, Fixed 16K-25K (11.5" ***)	11
FM: TRAILER**, Fixed 16K-25K (14" ***)	11
EXF: TRUCK, Fixed 13K.	12
EXF: TRUCK, Fixed Roll-Off 13K	12
EXF: TRAILER*, Fixed 13K.	13



NOTE: Dimensional variations for suspensions with Disc Brakes are shown in parentheses for FM suspensions only. Dimensions for SC and FX suspensions with Disc and Drum Brakes are the same.

*Available as **Bolt-on** and **Weld-on**

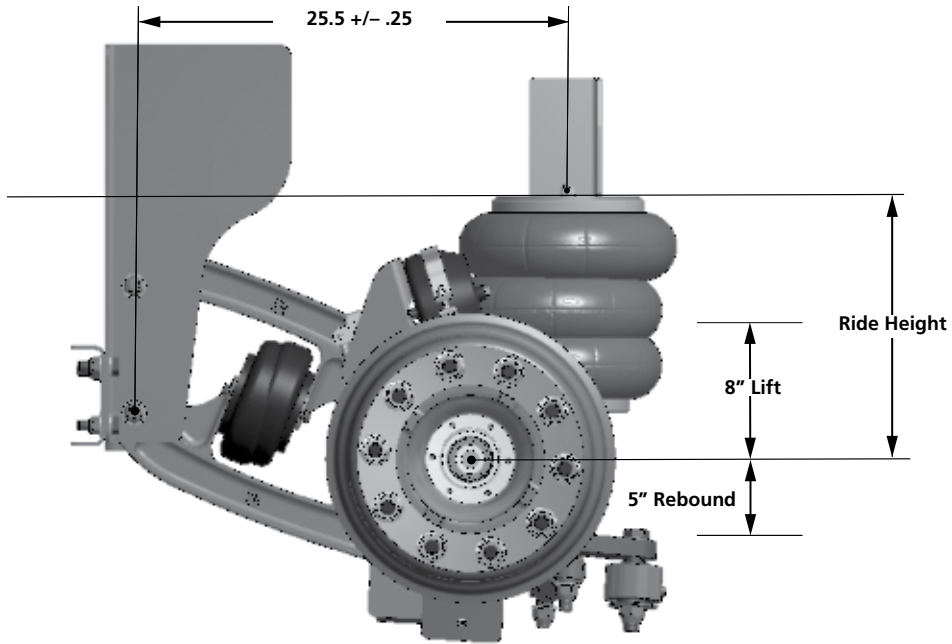
Available as **Weld-on only

*** Indicates **Ride Height**

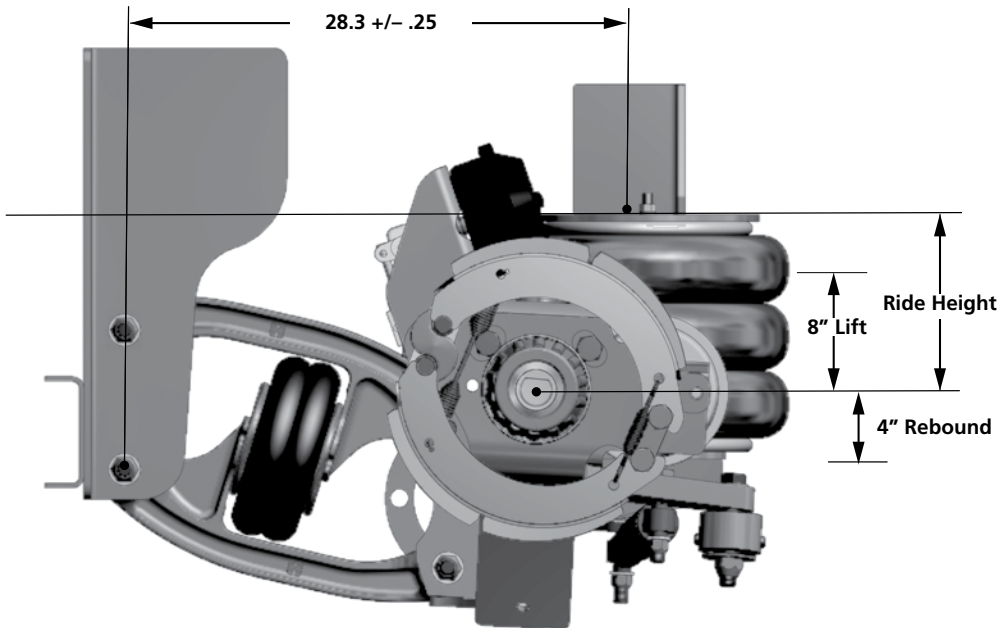
SECTION 1

Steerable Suspensions

SC TRUCK, Steerable 8K, 10K, 13K

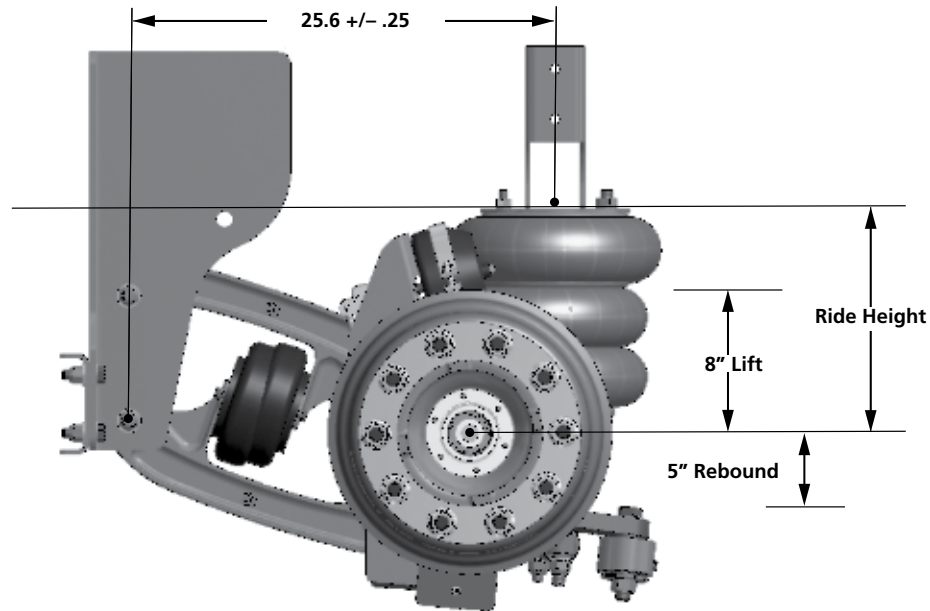


SC TRUCK, Steerable 20K

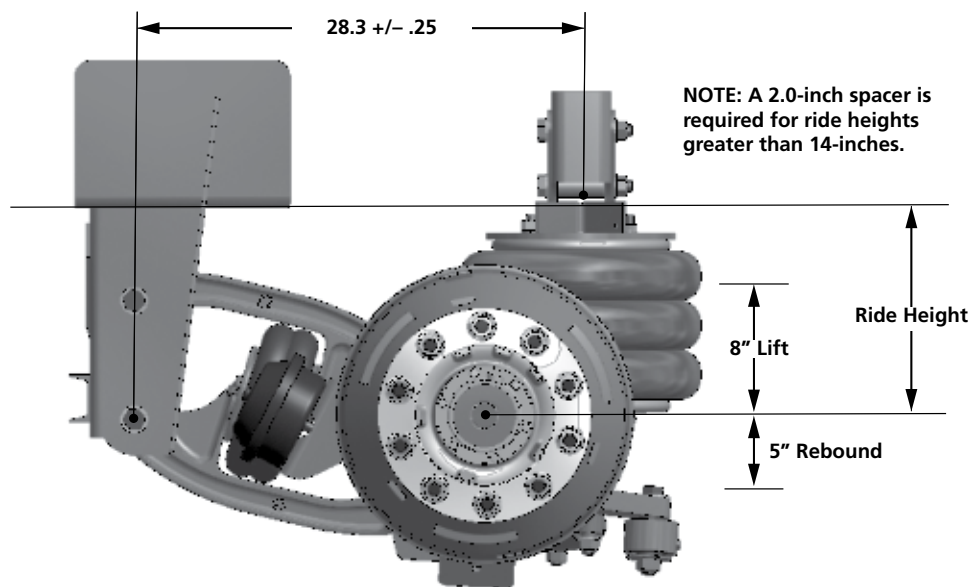




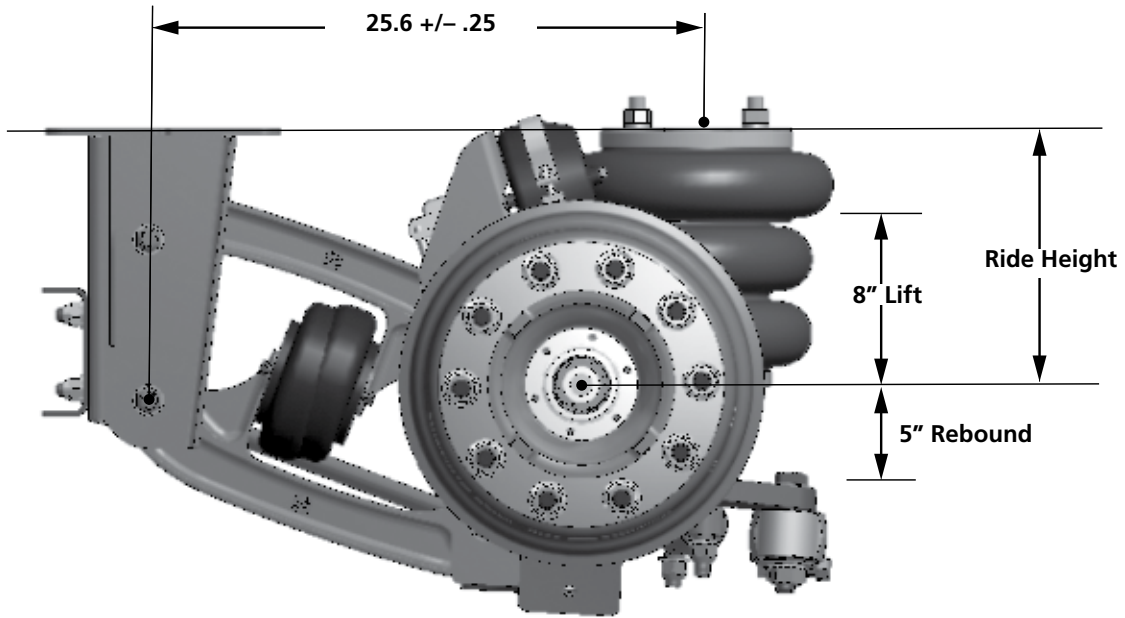
SC TRUCK, Steerable Roll-Off 13K



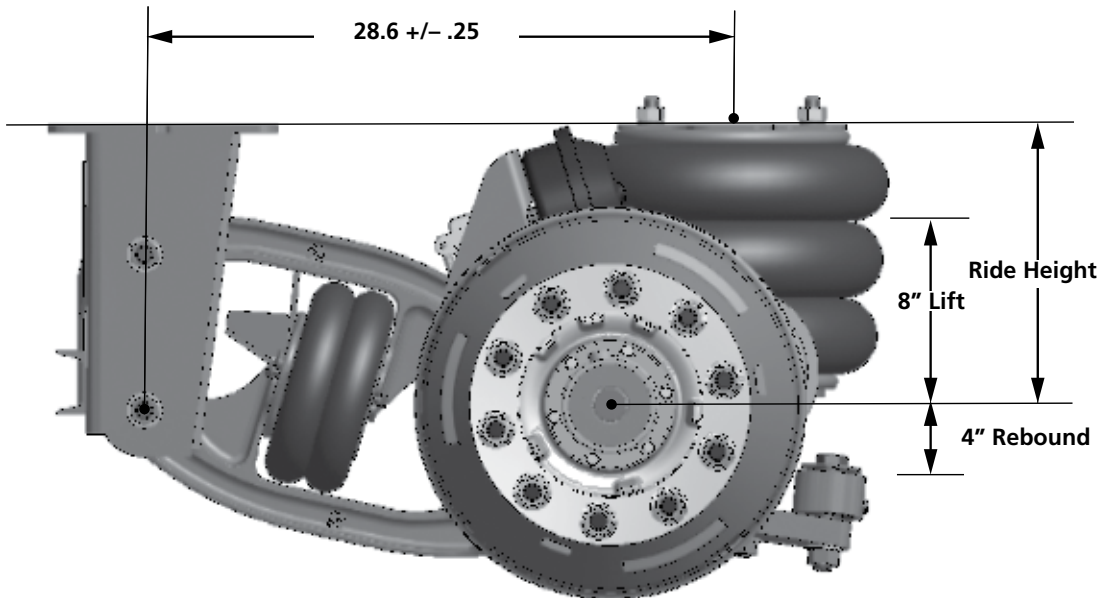
SC TRUCK, Steerable Roll-Off 20K



SC TRAILER, Steerable 10K & 13K (Bolt-On & Weld-On)

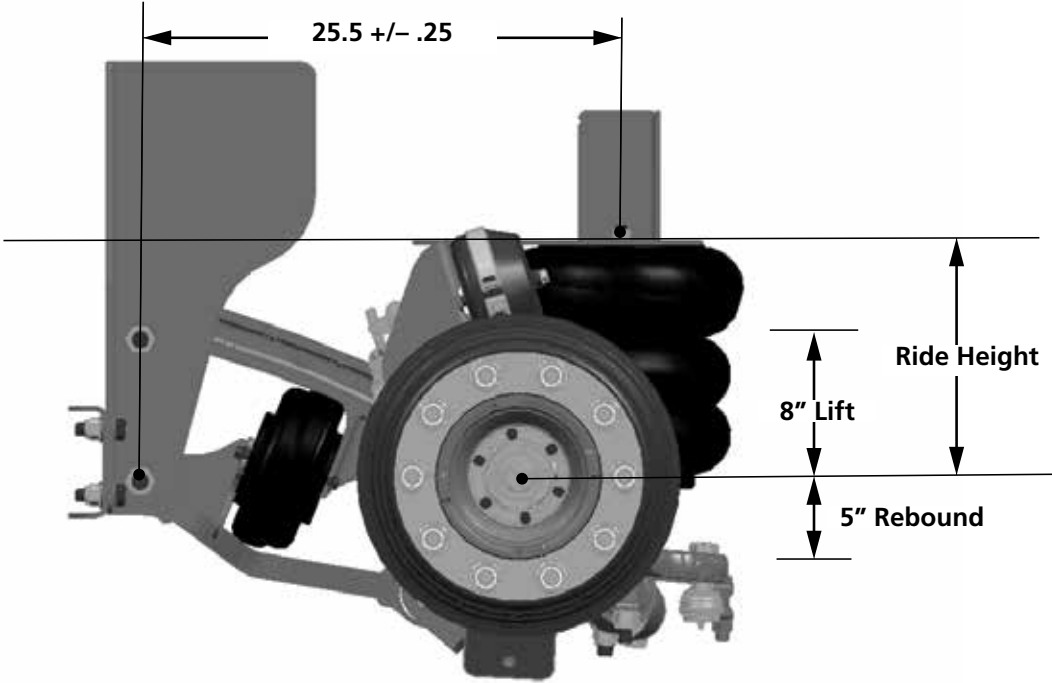


SC TRAILER, Steerable 20K (Bolt-On & Weld-On)

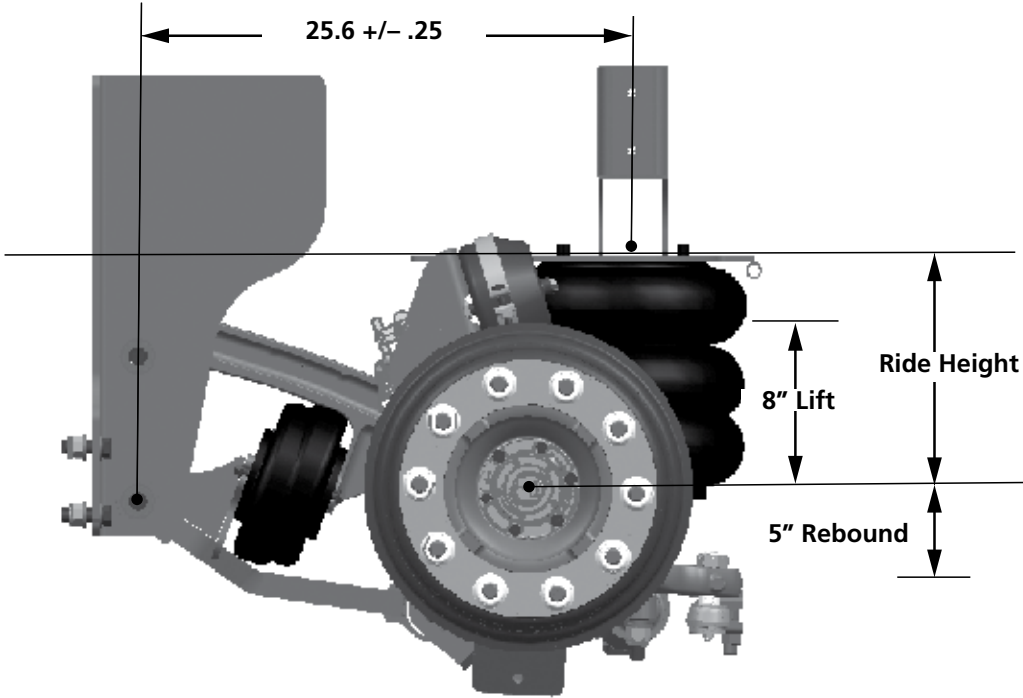




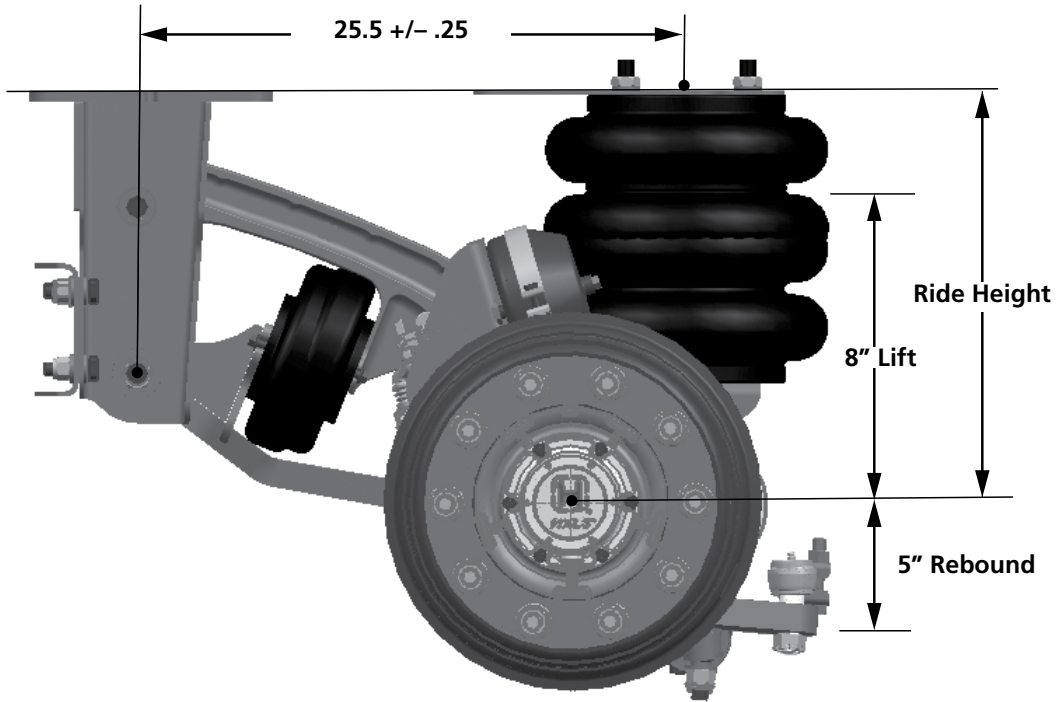
EXS TRUCK, Steerable 8K, 10K, 13K



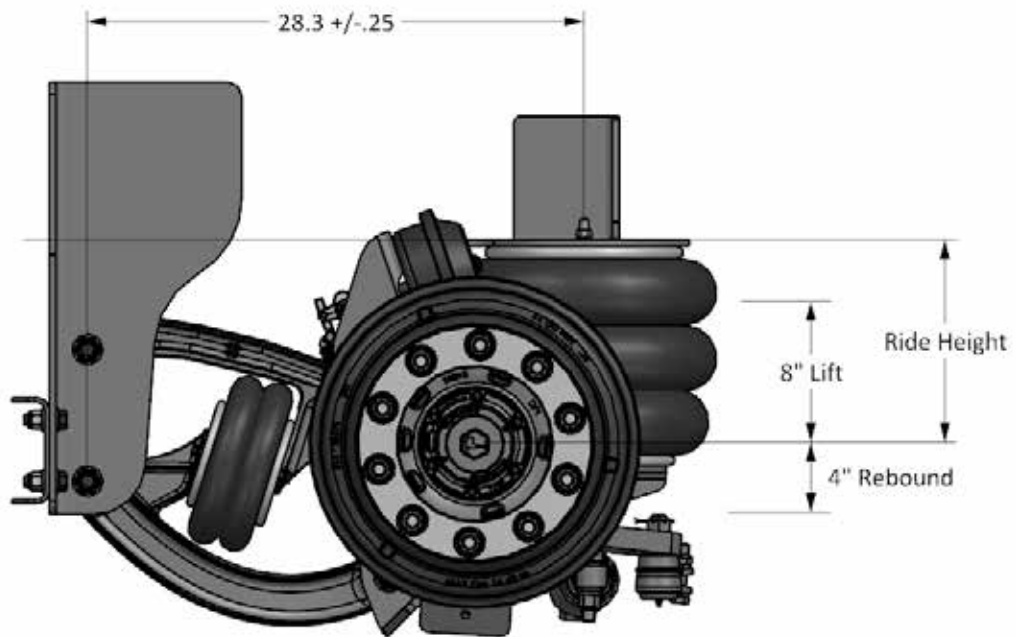
EXS TRUCK, Steerable Roll-Off 8K, 10K, 13K



EXS TRAILER, Steerable 8K, 10K, 13K (Bolt-on & Weld-on)

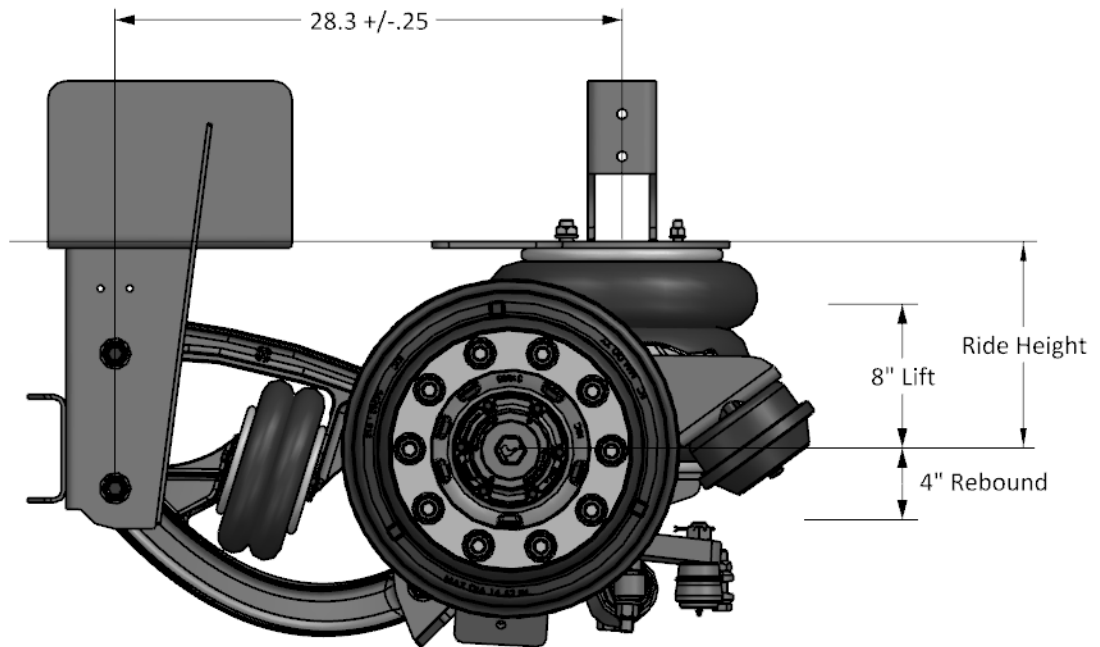


EXS TRUCK, Steerable 20K

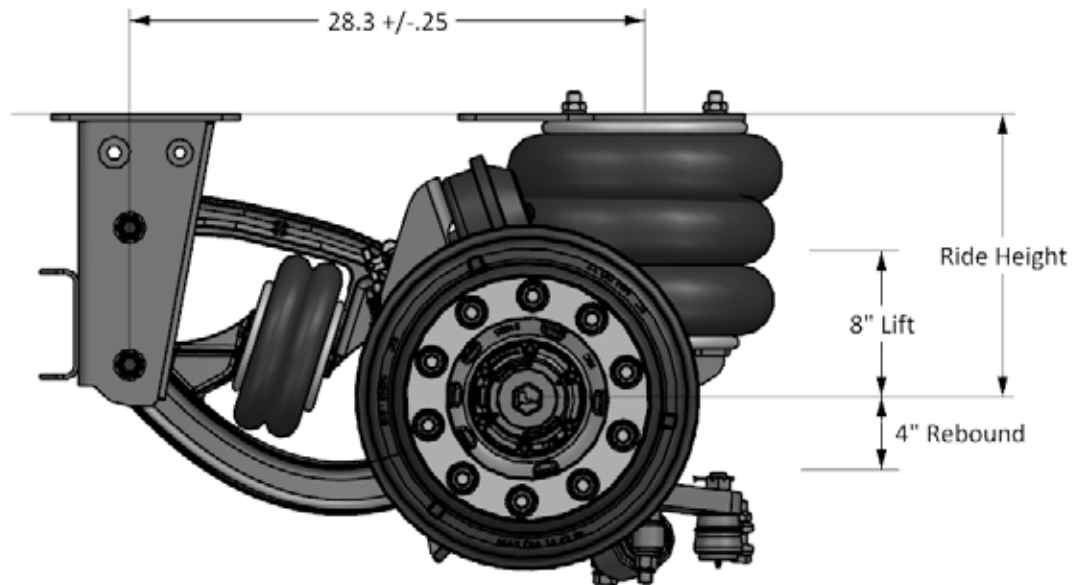




EXS TRUCK, STEERABLE (ROLL-OFF) 20K

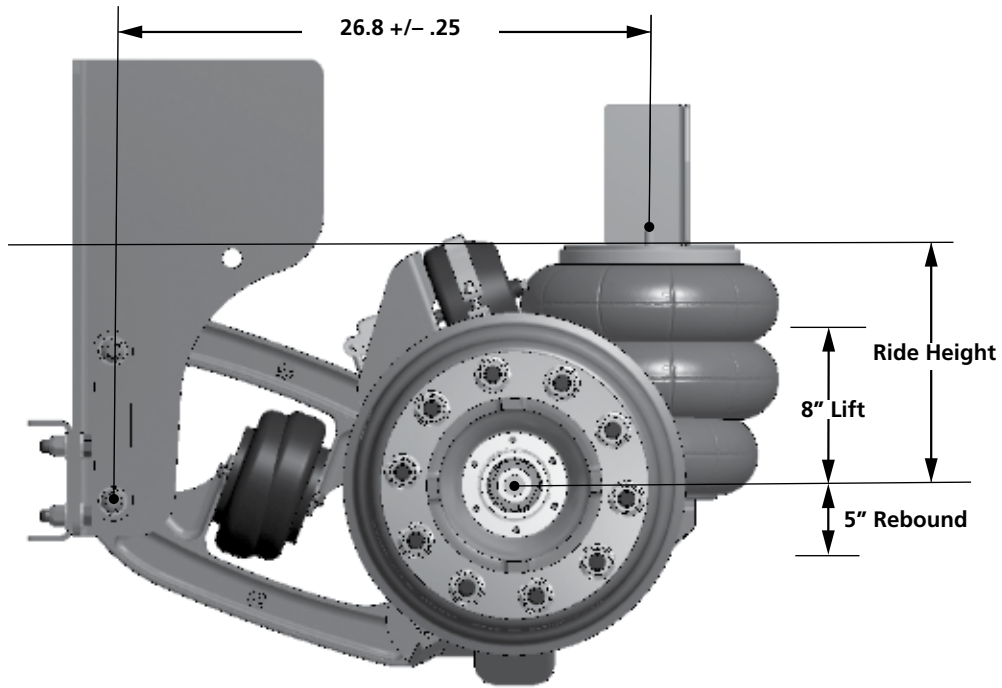


EXS TRAILER, STEERABLE (WELD-ON & BOLT-ON) 20K

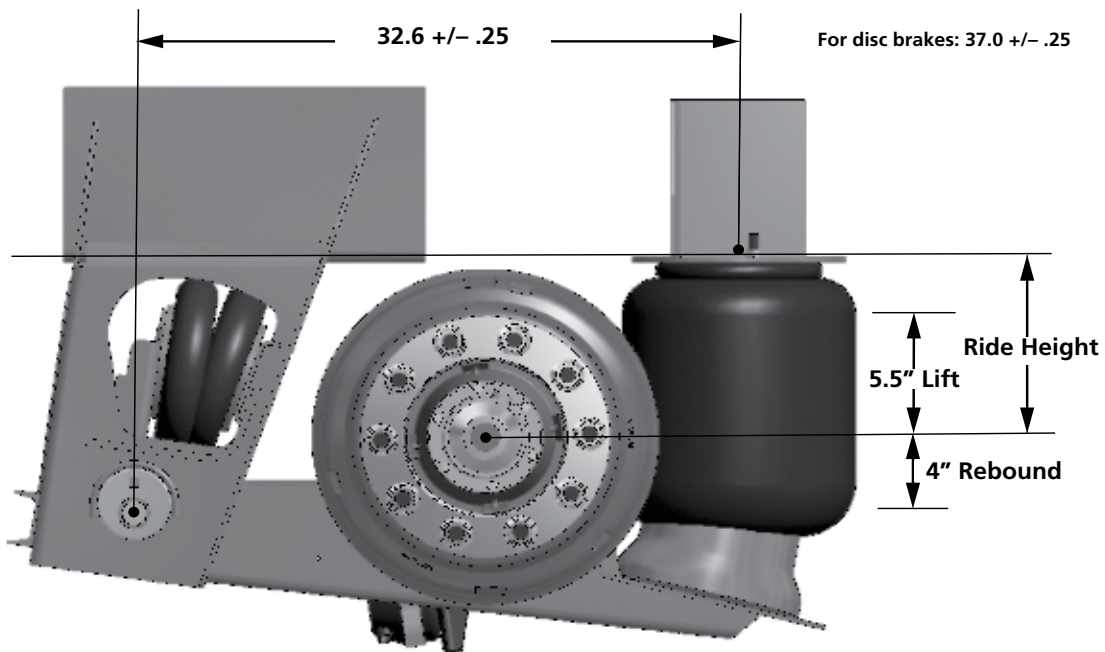


Fixed Suspensions

FX TRUCK, Fixed 13K

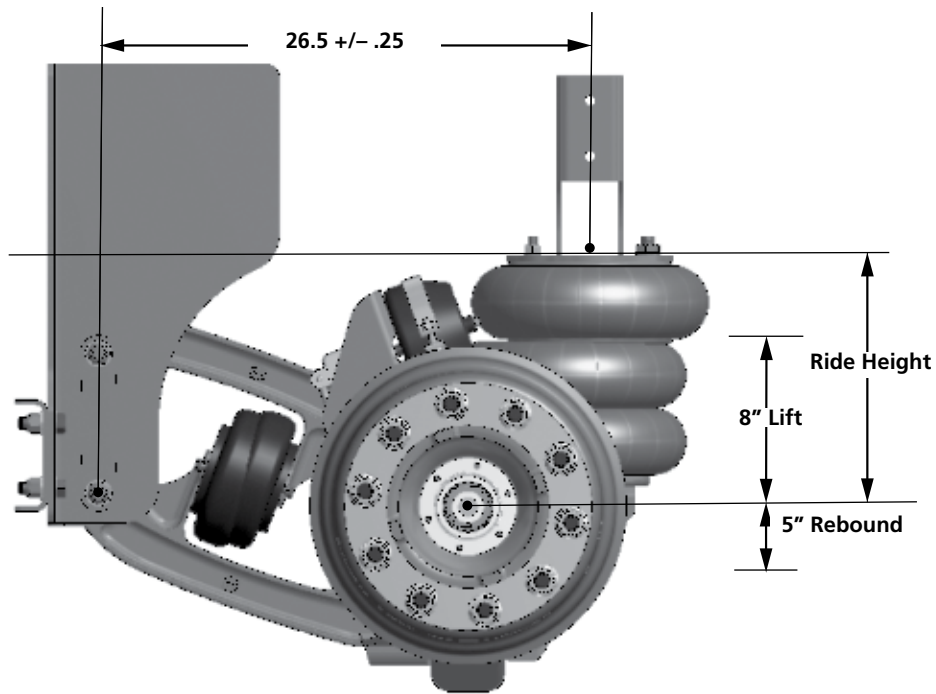


FM TRUCK, Fixed 20K

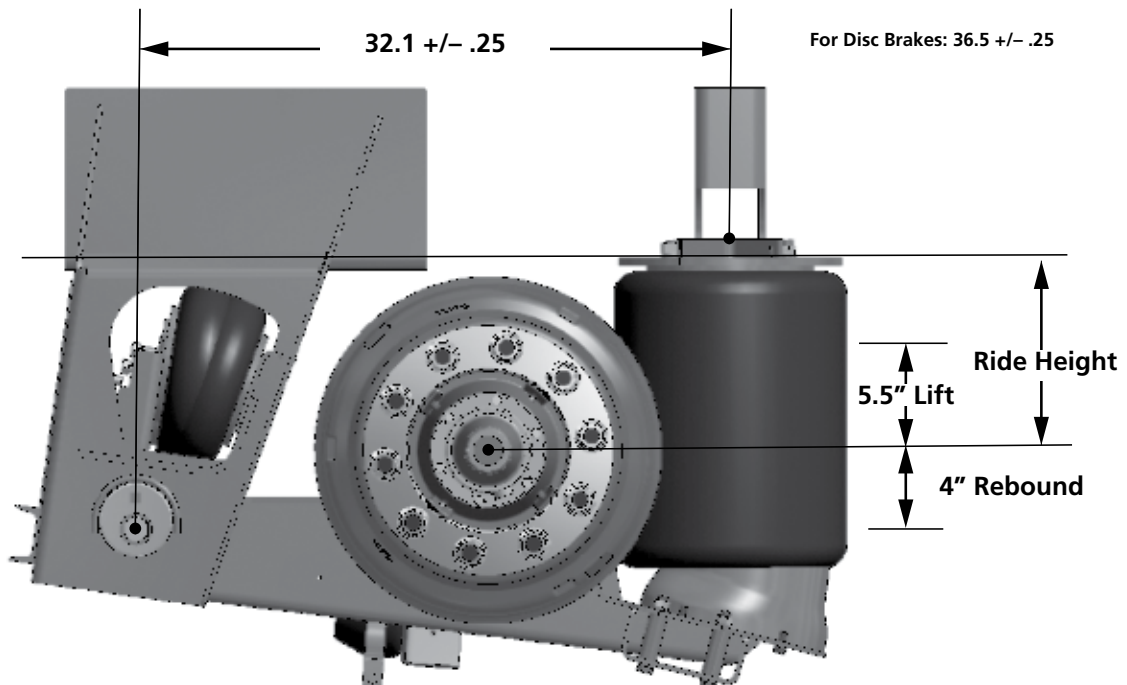




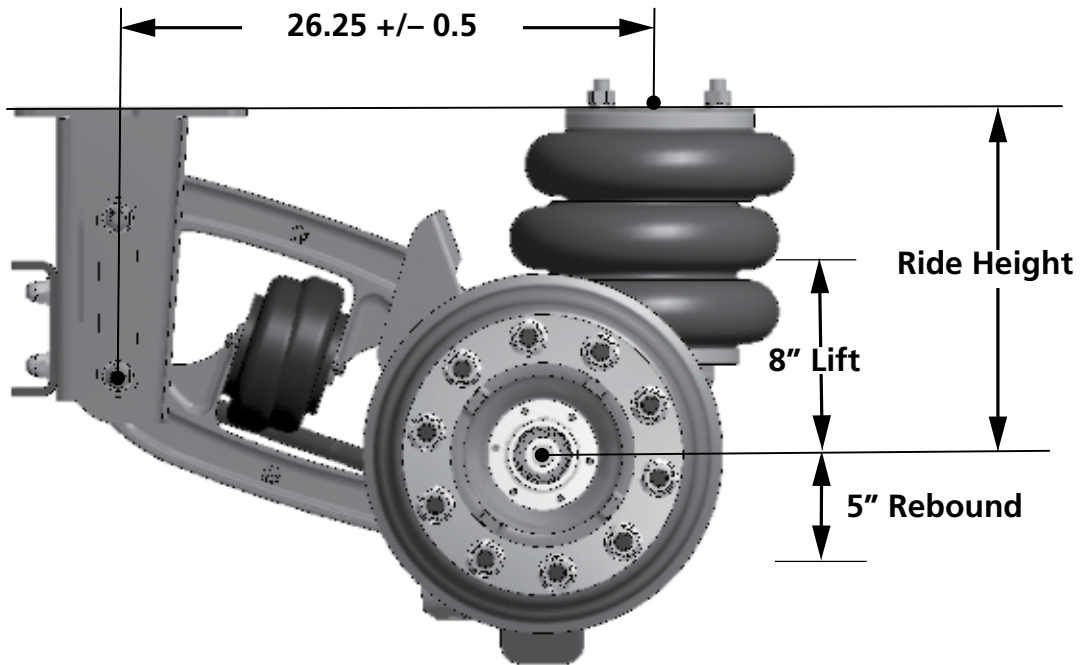
FX TRUCK, Fixed Roll-Off 13K



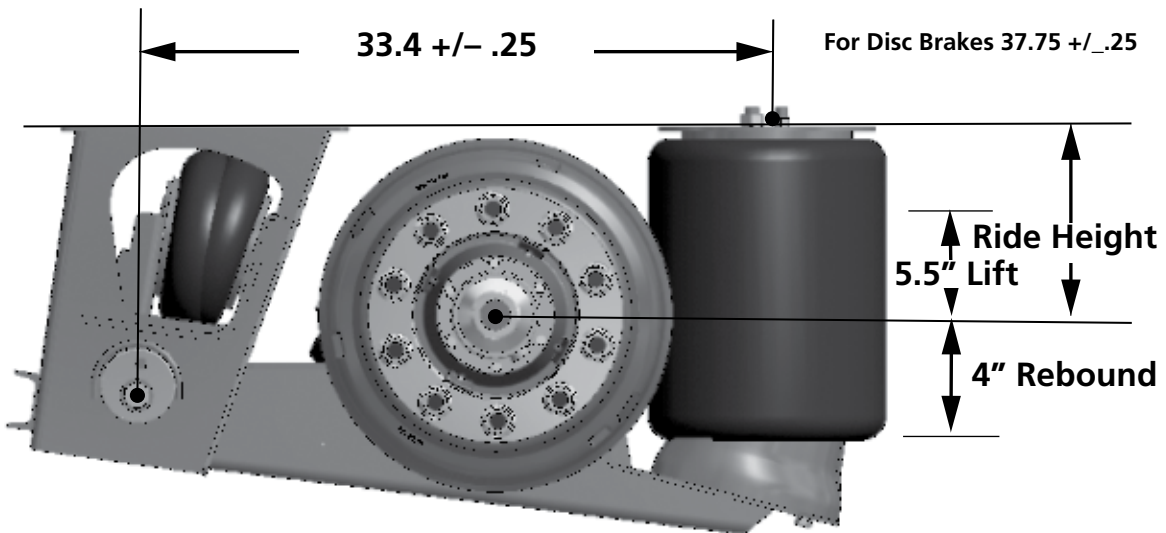
FM TRUCK, Fixed Roll-Off 20K



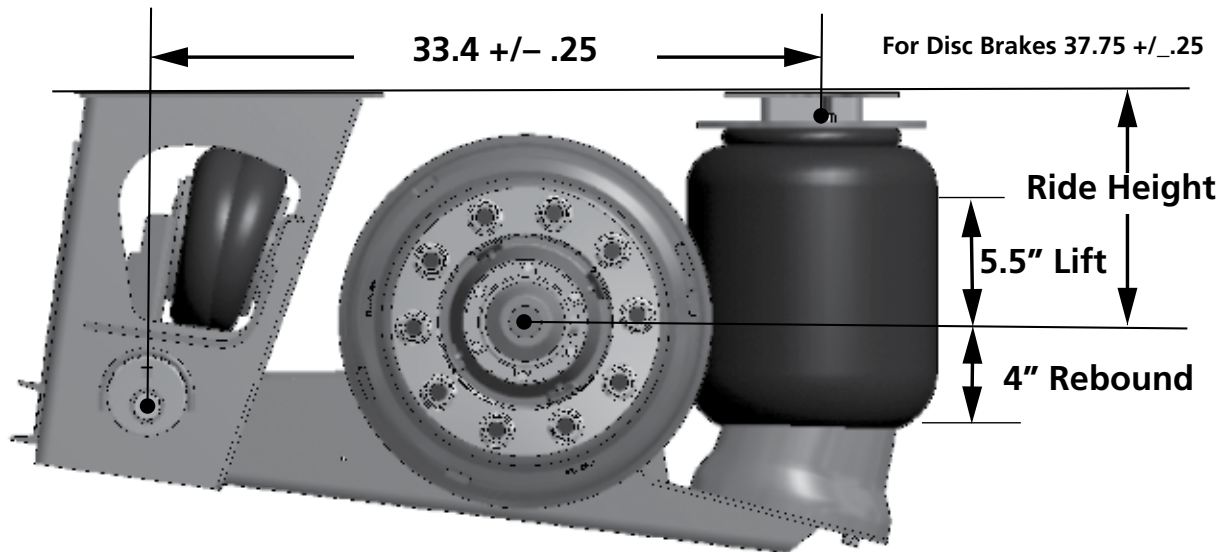
FX TRAILER, Fixed 10K & 13K (Bolt-on & Weld-on)



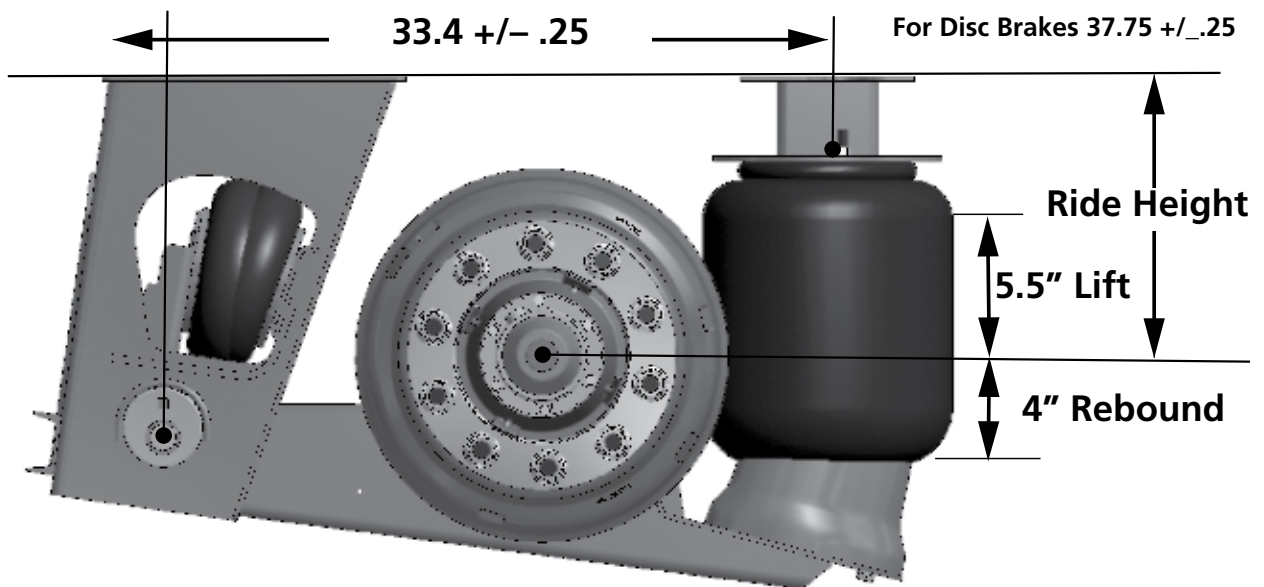
FM TRAILER, Fixed 16K-25K: 10" Ride Height (Weld-on Only)



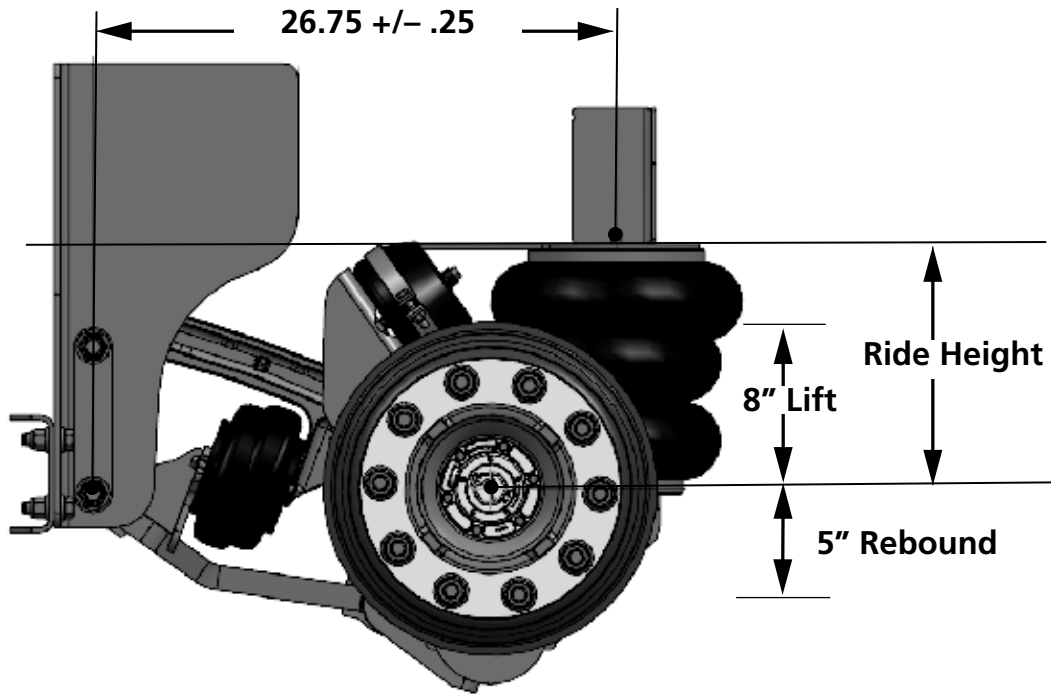
FM TRAILER, Fixed 16K-25K: 11.5" Ride Height (Weld-on Only)



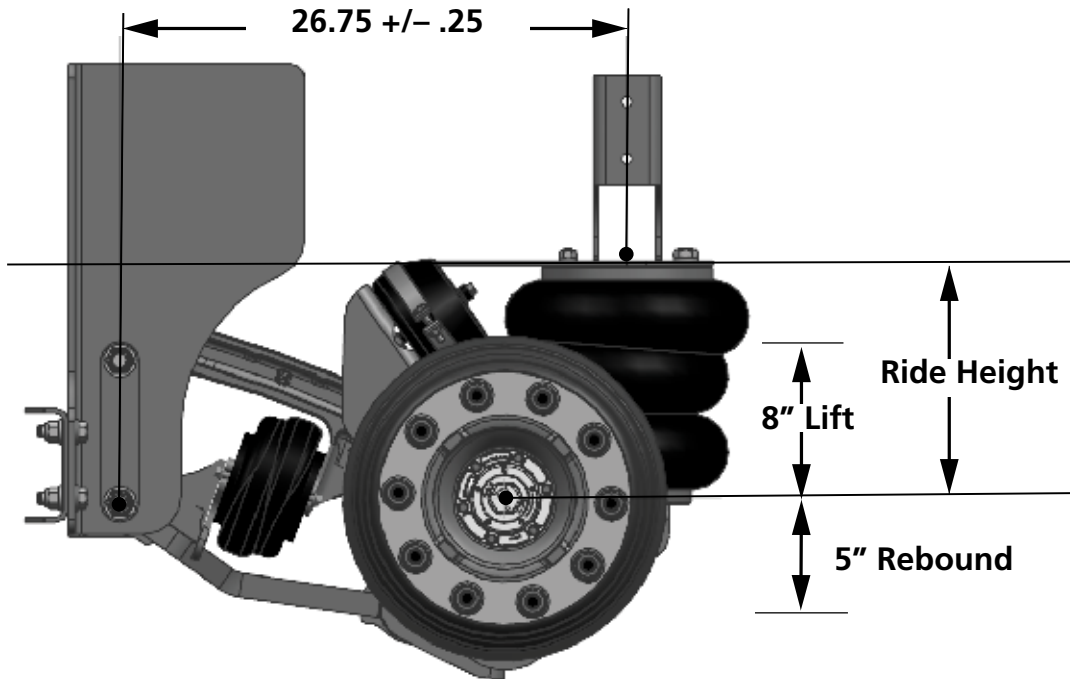
FM TRAILER, Fixed 16K-25K: 14" Ride Height (Weld-on Only)



EXF TRUCK, Fixed 13K



EXF TRUCK, Fixed Roll-Off 13K





EXF TRAILER, Fixed 13K (Weld-on & Bolt-on)

